

EasyFlow™

MANUAL REVOLVING DOOR



EasyFlow™ manual revolving doors provide energy efficiency and high architectural appeal.

SERIES 9500



Innovative Features and Economical Performance

Revolving doors reduce air infiltration, wind gusts, pollution and fumes from the outside in addition to improving interior climate control.

Designed for use in a multitude of applications including office and government buildings, banks, retail stores and restaurants, the **EasyFlow™** manual revolving door features our mechanical speed control for years of smooth operation.

While maintaining energy efficiency, the **EasyFlow™** manual revolving door meets architectural design requirements and provides an inviting entryway. The product is available in a variety of diameters and finishes.

Standard Features:

- ▶ Four standard diameters (6' to 8')
- ▶ Mechanical speed control
- ▶ Round or Segmented™ drum design
- ▶ Curved tempered or laminated wall glass
- ▶ Bookfold collapsing hardware
- ▶ Flexible design
- ▶ Quick delivery on standard finishes
- ▶ Push bars or muntins

Specifier Options:

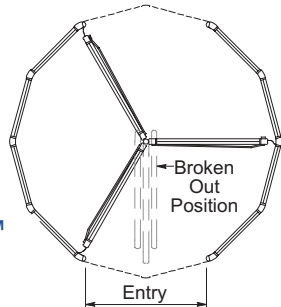
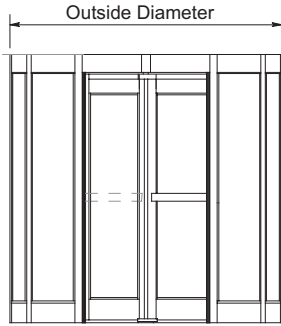
- ▶ Finishes (Anodized aluminum, paint, metal clad, wood)
- ▶ Glazing options
- ▶ Floor speed control
- ▶ Special diameters and heights
- ▶ Aluminum roof panels
- ▶ Ceiling lights
- ▶ Glass ceiling
- ▶ Electronic speed control
- ▶ Return to quarter point
- ▶ AutoLock™
- ▶ Magnetic breakaway for high wind conditions or stadiums



EasyFlow™

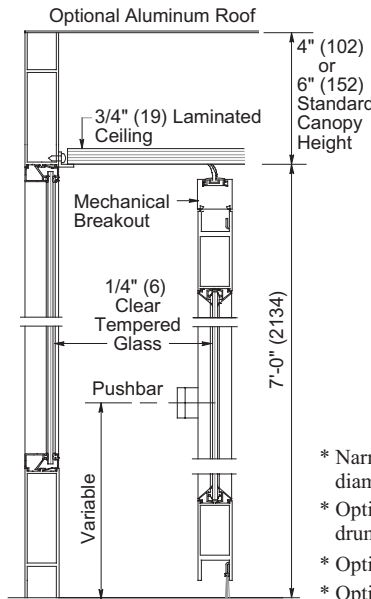
revolving doors are available with a variety of standard and optional features.

Horton doors easily accommodate a full array of design and installation needs.



Segmented™ Drum

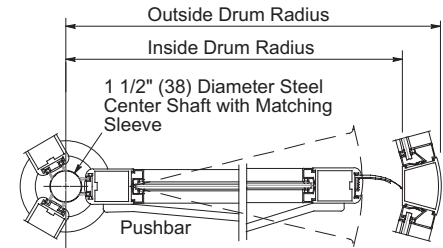
Elevation & Floor Plan



Vertical Section

Standard Segmented™ Drum Dimensions

Inside Diameter	Entry - 3 Wing	Entry - 4 Wing
6'-0" (1830)*	-----	4'-2 3/8" (1279)
6'-6" (1980)*	-----	4'-6 13/16" (1392)
7'-0" (2133)	3'-3" (995)	4'-11 3/16" (1503)
8'-0" (2438)	3'-9" (1146)	5'-7 15/16" (1725)



* Narrow style shown. Medium style supplied on 8'-0" diameter doors.

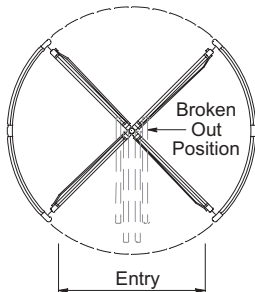
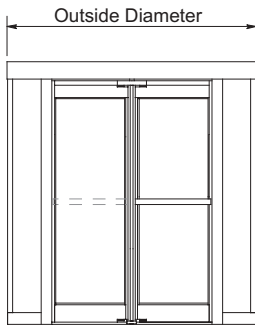
* Optional Round Canopy on Segmented™ drum enclosure

* Optional Extended Canopy

* Optional Magnetic Breakaway.

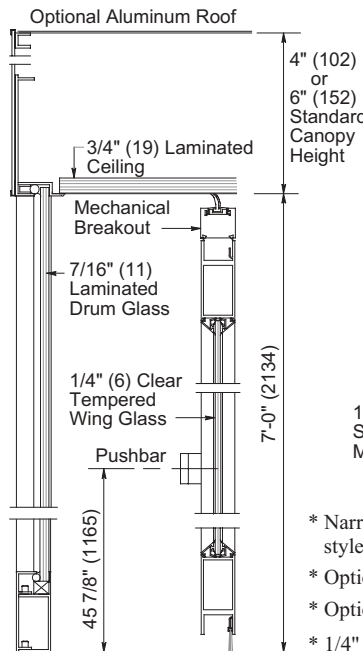


Horizontal Section



Round Drum

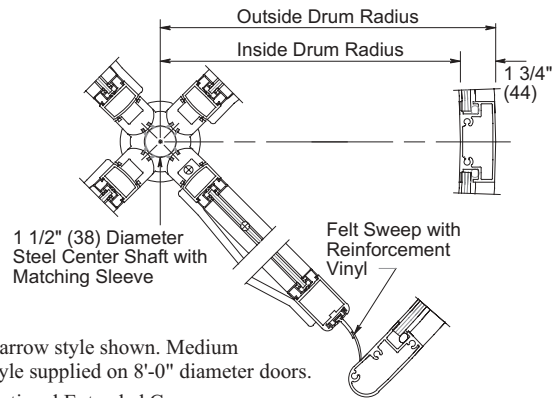
Elevation & Floor Plan



Vertical Section

Standard Round Drum Dimensions

Inside Diameter	Entry - 3 Wing	Entry - 4 Wing
6'-0" (1830)*	-----	4'-0 3/4" (1223)
6'-6" (1980)*	-----	4'-5" (1327)
7'-0" (2133)	3'-3 1/8" (994)	4'-9 1/4" (1453)
8'-0" (2438)	3'-9 1/8" (1146)	5'-5 3/4" (1653)



* Narrow style shown. Medium style supplied on 8'-0" diameter doors.

* Optional Extended Canopy

* Optional Magnetic Breakaway

* 1/4" (6) Tempered Glass available for Drum

Horizontal Section



4242 Baldwin Boulevard
Corpus Christi,
Texas, U.S.A. 78405-3399
Tel: 800-531-3111, 361-888-5591
Fax: 800-531-3108, 361-888-6510
www.hortondoors.com

Horton Automatics reserves the right to alter its product and specifications without notice.

Horton Automatics, Ltd.
Unit A, Hortonwood 31
Telford, Shropshire, England TF1-7YZ
Tel: 01952 670169, Fax: 0192 670181
International Tel: ++44-1952-670169
International Fax: ++44-1952-670181



A Division of Overhead Door Corporation
A Sanwa Shutter Company

Form F507, Rev. 1/06
© 2003 Horton Automatics
Printed in U.S.A.